

DIMENSION TABLE			
SIZE	L	H	ØC
65N.B.	280	220	Ø60
80N.B.	318	253	Ø76
100N.B.	400	300	Ø96
150N.B.	500	322	Ø146
200N.B.	597	410	Ø196
250N.B.	675	530	Ø220
300N.B.	870	650	Ø270
350N.B.	870	700	Ø320

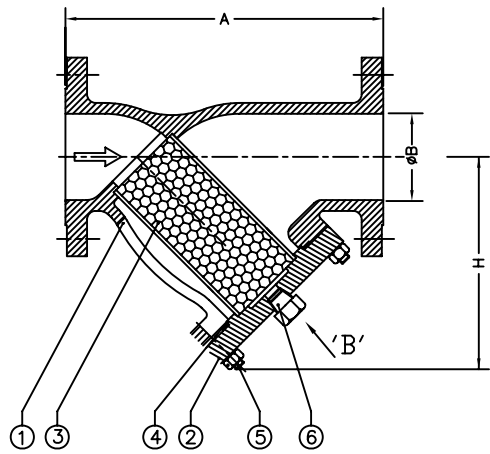
ØC - DIA. OF FILTER ELEMENT

Y
STRAINER-FABRICATED

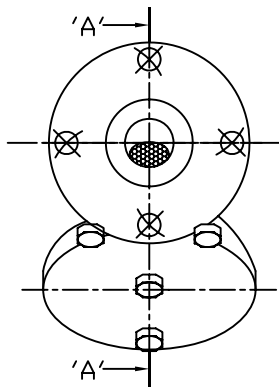
DIMENSIONS

CLASS	SIZE	15	20	25	32	40	50	65
150	A	139.7	152	165.1	184	203	228.6	279.4
	B	12.7	19	25	32	38	51	64

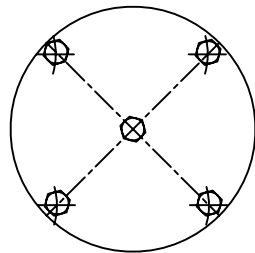
ALL DIMENSIONS ARE IN MM



SECTION-'A'-'A'



SIDE VIEW'



VIEW 'B'

STRAINER-CAST^Y